

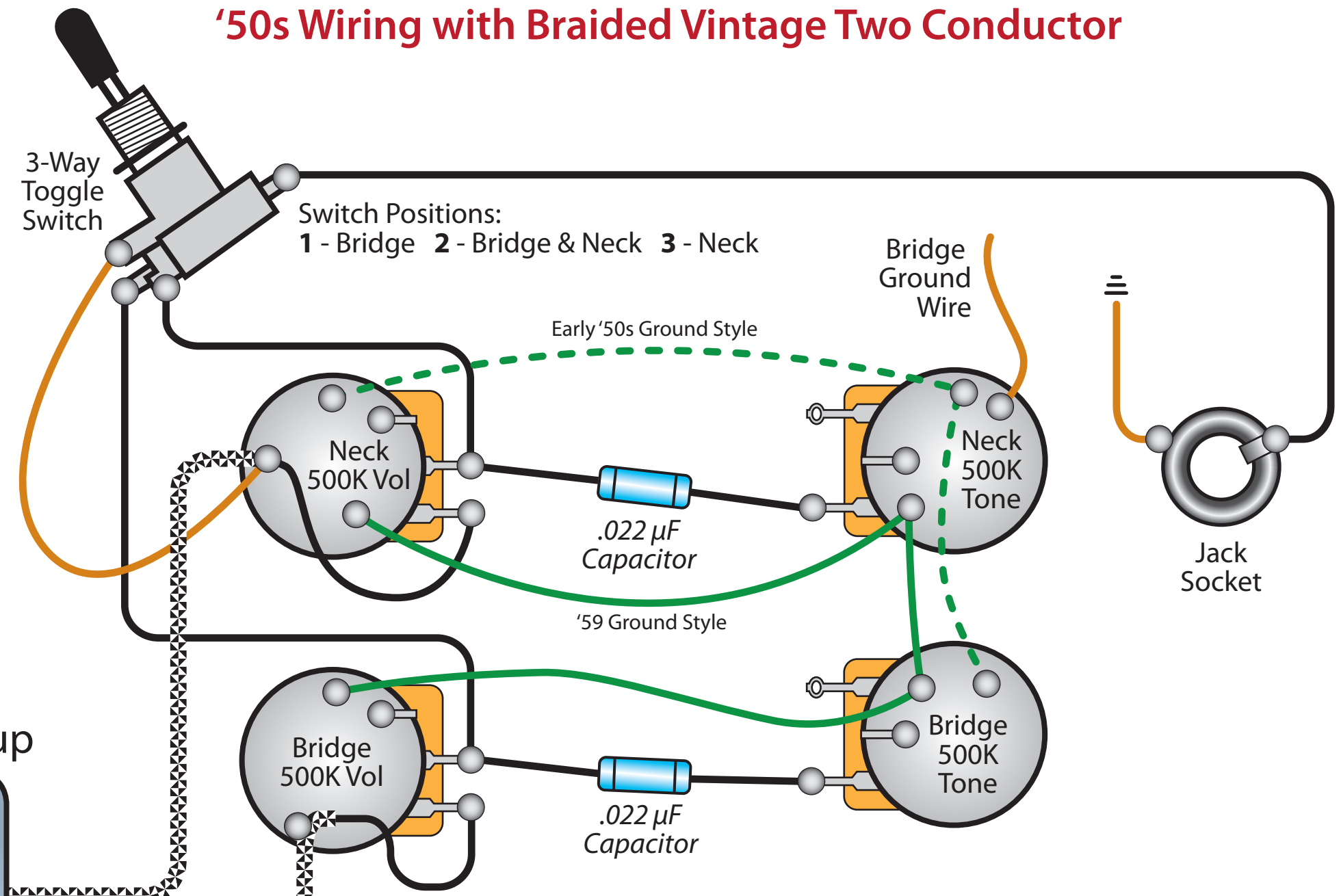


'50s Wiring with Braided Vintage Two Conductor

KEY:

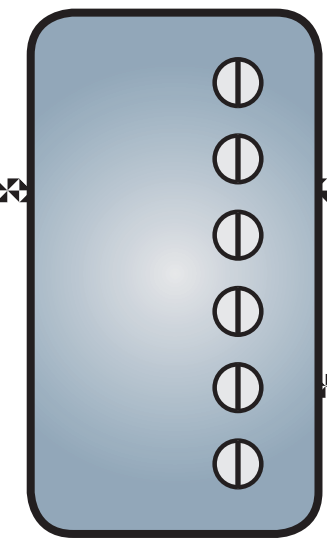
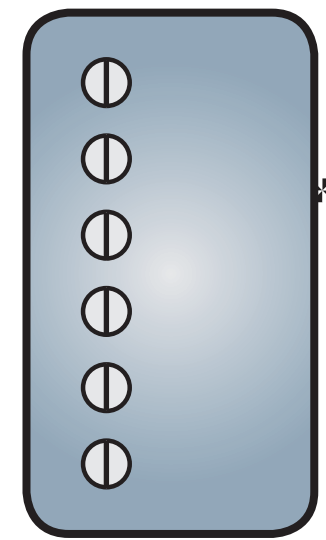
- Solder Joint
- ≡ Ground Connection (usually soldered to back of volume pot)
- ▒ Braided Ground
- Hot Wire
- Ground Wire
- '59 Ground Style
- - - Early '50s Ground Style

(Pick One)



ThroBak Neck Pickup

ThroBak Bridge Pickup



There is less treble loss when rolling the guitar volume back, when using '50s wiring. Many feel it is an important part of vintage Les Paul tone.